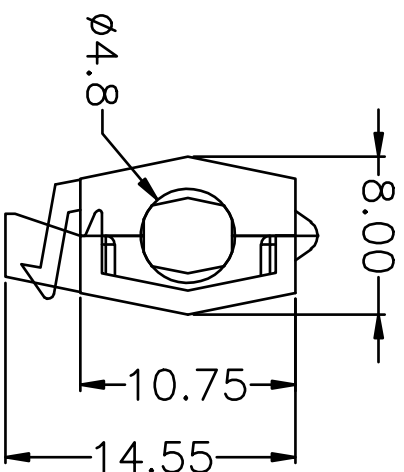
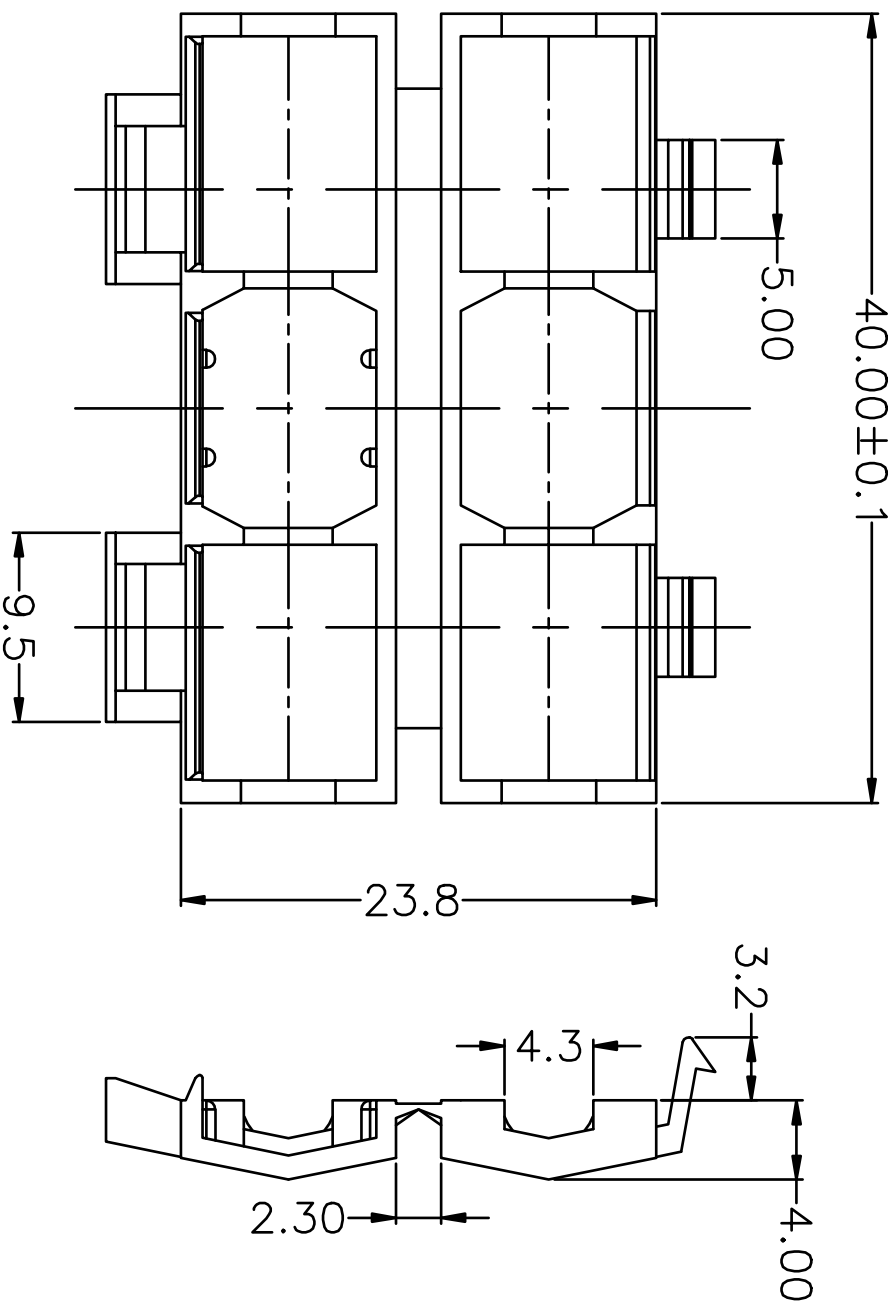


REV.	DESCRIPTION	DATE	DRAWN	APPROVED
A1	DWG.REL	2016/10/7	FANG	YANG



• Material  
Housing: PP

**HOW TO ORDER**  
KFC1 X-XXXXX

MODEL → Color: G:Green, K:Black, O:Orange, GR:Grey  
Customer Request → R:Red, W:White, B:Blue

GENERAL TOLERANCE ANGLE TOLERANCE

X.	±0.5	X.	±5°
.X	±0.3	.X	±3°
.XX	±0.1	.XX	±1°

PROJECTION UNITS

1:1	SHEET	1 OF 1
-----	-------	--------

TITLE

KFC1
------

SHEET SIZE

A4	SERIES	KFC1
----	--------	------

SCALE

1:1
-----

DRAWING NO.

XP0012016-xxxx
----------------

**凯峰电子有限公司**  
KAI FENG ELECTRONIC CO.,LTD

CIXI KAIFENG ELECTRONIC CO.,LTD