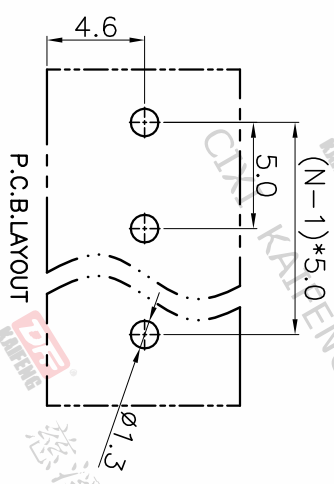
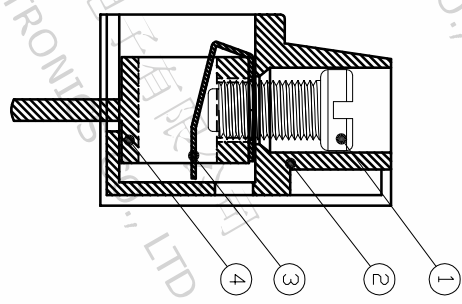
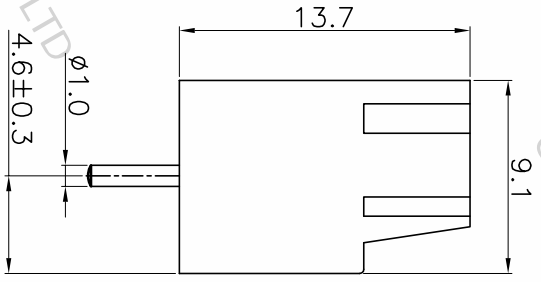
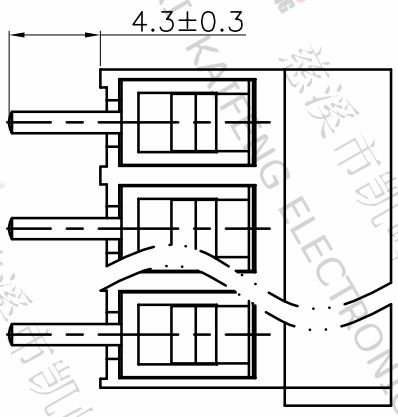
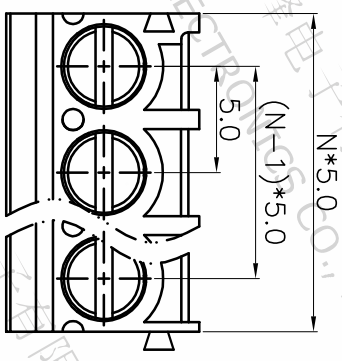


REV.	DESCRIPTION	DATE	DRAFTER	APPROVER
A1	DWG.REL	2020.05.18	DENG	JIN



- Material  
 ØScrews : M3.0 steel, Zinc plated,  
 -\_\* slot type  
 ØHousing : PA66, UL94V-0  
 ØReed : Copper alloy,Ni plated  
 or stainless steel  
 ØPin header : Copper alloy, Tin plated

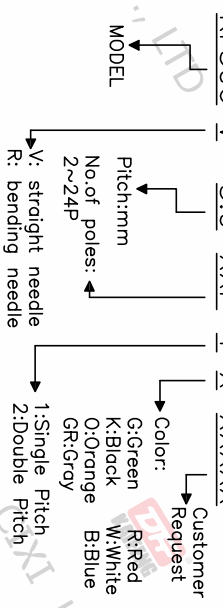
- Electrical  
 UL IEC  
 Rated voltage : 300V 250V  
 Rated current : 12A 25A  
 Contact resistance : 20mΩ(Max)  
 Insulation resistance : 500MΩ/DC500V  
 Withstanding Voltage : AC2000V/1min  
 Wire range : 22-14AWG 2.5mm<sup>2</sup>

- Mechanical  
 Operating temperature:-40℃~+105℃  
 Soldering temperature:250℃±5/5sec  
 Torque: 0.5N.m (4.43Lb.in)  
 Strip length: 4.5-5mm

• RoHS compliance

HOW TO ORDER

MODEL  
 KF306 V -5.0-XXP-1 X-XXXXX



Pitch range	Nominal dimension range	Projection
>0	>30	0.1/10
~6	~60	≤
~10	~100	±2'
~24	~150	
±0.15	±0.30	
±0.20	±0.50	
±0.30	±0.70	
±0.50	±1.00	
±1.30	±1.30	

DRAWING TYPE	CUSTOMER DRAWING
SCALE	1:1
SHEET	1 OF 1
DRAWING NO.	W15000192

PROJECTION	UNIT	TITLE
mm	A4	KF306V-5.0-XXP-1X
SHEET SIZE	SERIES	
A4	KF306	

**DF** 慈溪市凯峰电子有限公司  
 CIXI KAIFENG ELECTRONICS CO.,LTD