

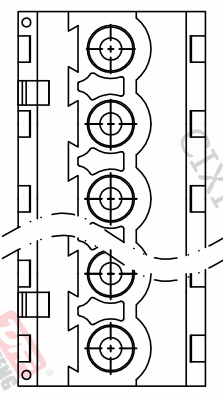
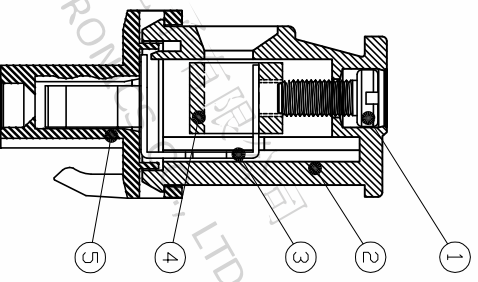
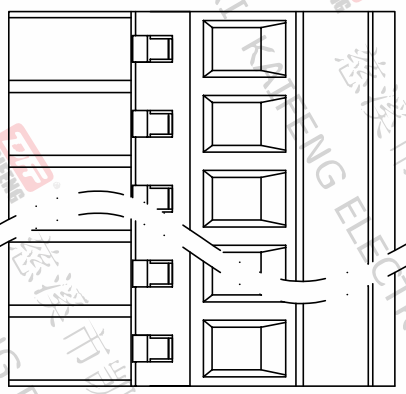
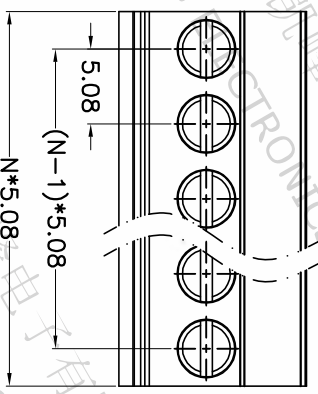
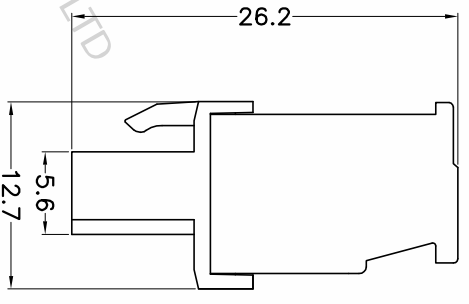
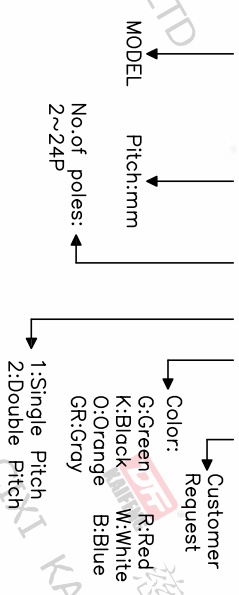
REV.	DESCRIPTION	DATE	DRAFTER	APPROVER
A1	DWG.REL	2020.5.23	ZHANG	JIN

- Material  
 ①Screw : M3.0 steel, Zinc plated, \*- slot type  
 ②Housing : PA66, UL94V-0  
 ③Contact : Copper alloy, Tin plated  
 ④Clamp : Copper alloy, Ni plated  
 ⑤Cover : PA66, UL94V-0
- Electrical  
 UL IEC  
 Rated voltage : 300V 320V  
 Rated current : 15A 18A  
 Contact resistance : 20mΩ(Max)  
 Insulation resistance: 500MΩ/DC500V  
 Withstanding Voltage : AC2000V/1min  
 Wire range: 28-12AWG 2.5mm<sup>2</sup>

- Mechanical  
 Operating temperature: -40°C~+105°C  
 Soldering temperature: 250°C ±5/5sec  
 Torque: 0.5N.m (4.43Lb.in)  
 Strip length: 7-8mm
- RoHS compliance

HOW TO ORDER

KF2EDGKB-5.08-XXP-1 X-XXXXX



Pitch range	Nominal dimension range	PROJECTION
>0	>0	0.1/10
~6	>30	UNIT
~10	>60	mm
~24	>100	SHEET SIZE
±0.15	>150	A4
±0.20	±0.30	SERIES
±0.30	±0.50	KF2EDGKB
±0.70	±1.00	TITLE
±1.30	±2	KF2EDGKB-5.08-XXP-1X

DRAWING TYPE	CUSTOMER DRAWING
SCALE	1:1
SHEET	1 OF 1
DRAWING NO.	W10000342

**DF** 慈溪市凯峰电子有限公司  
 CIXI KAIFENG ELECTRONICS CO.,LTD