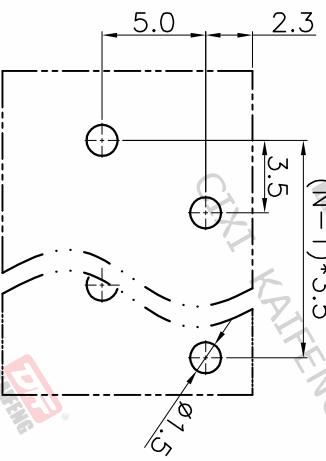
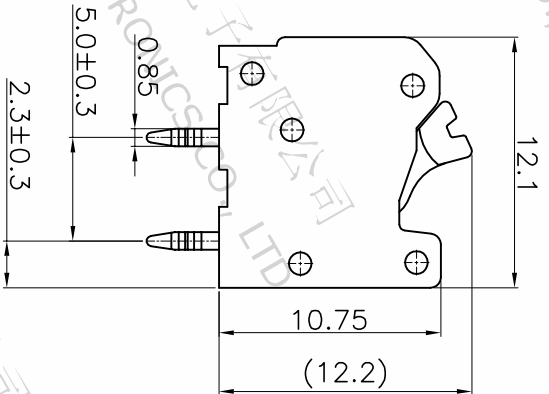
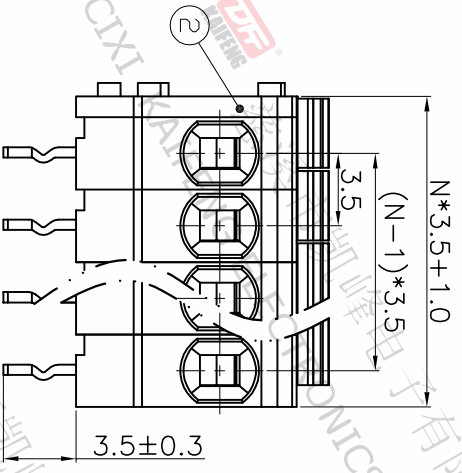
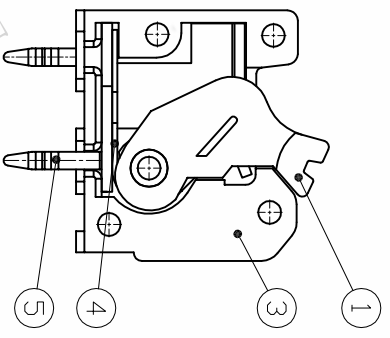
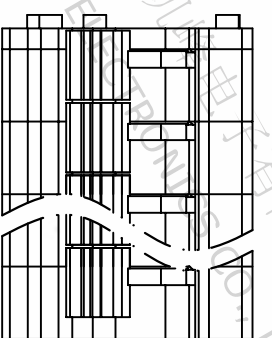


REV.	DESCRIPTION	DATE	DRAFTER	APPROVER
A1	DWG.REL	2020.05.25	DENG	JIN



P.C.B. LAYOUT

- Material
 - Button : PA66, UL94V-0
 - Cover : PA66, UL94V-0
 - Housing : PA66, UL94V-0
 - Reed : Stainless steel
 - Pin header : Copper alloy, Tin plated

- Electrical

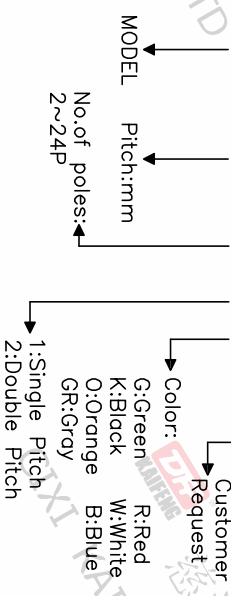
UL	IEC
Rated voltage : 300V	450V
Rated current : 7A	15A
Contact resistance : 20mΩ(Max)	
Insulation resistance: 500MΩ/DC500V	
Withstanding Voltage : AC2000V/1min	
Wire range: 22-16AWG 1.5mm ²	

- Mechanical
 - Operating temperature: -40°C~+105°C
 - Soldering temperature: 250°C±5/5sec
 - Strip length: 8-9mm

- RoHS compliance

HOW TO ORDER

KF260A-3.5-XXP-1 X-XXXXX



Pitch range	Nominal dimension range	Projection	UNIT
>0	>30	0.1/10	mm
~6	~60	≤	
~10	~100		
~24	~150		
±0.15	±0.30	±2'	
±0.20	±0.30		
±0.50	±0.70		
±1.00	±1.30		

DRAWING TYPE	CUSTOMER DRAWING	SHEET	1 OF 1
SCALE	1:1		
DRAWING NO.	W11000032		

DFE 慈溪市凯峰电子有限公司
CIXI KAIFENG ELECTRONICS CO.,LTD

