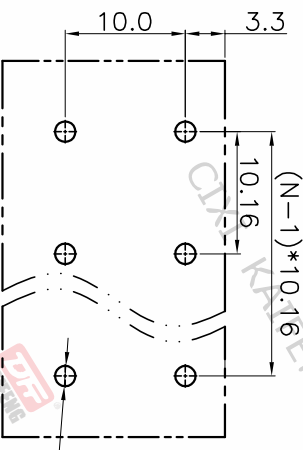
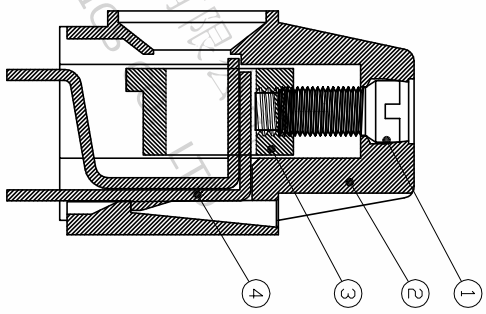
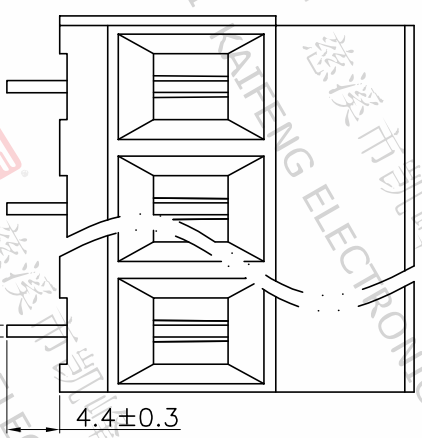
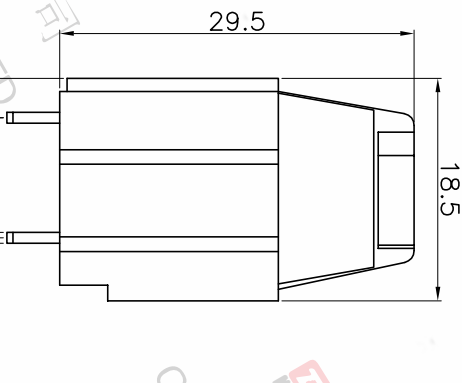
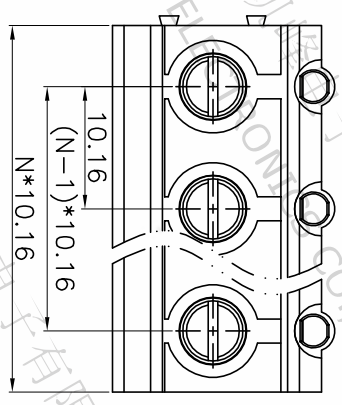


REV.	DESCRIPTION	DATE	DRAFTER	APPROVER
A1	DWG.REL	2020.05.22	DENG	JIN



P.C.B.LAYOUT

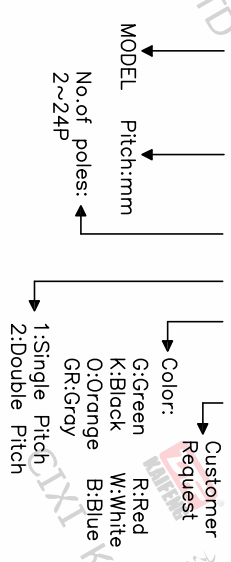
Pitch range	Nominal dimension range	Projection
>0	>30	0.1/10
~6	~60	~
~10	~100	~
~24	~150	~
±0.15	±0.30	±2°
±0.20	±0.50	±2°
±0.30	±0.70	±2°
±0.50	±1.00	±2°
±1.30	±1.30	±2°

DRAWING TYPE	CUSTOMER DRAWING
SCALE	1:1
SHEET	1 OF 1
DRAWING NO.	W15000752

PROJECTION	UNIT	TITLE
1st Angle	mm	KF136-10.16-XXP-1X
SHEET SIZE	A4	SERIES KF136

- Material  
 ØScrews : M4.0 steel, Zinc plated,  
 \*-\* slot type  
 ØHousing : PA66, UL94V-0  
 ØClamp : Copper alloy, Ni plated  
 ØPin header : Copper alloy, Tin plated
- Electrical  
 UL IEC  
 Rated voltage : 300V 1000V  
 Rated current : 65A 65A  
 Contact Resistance: 20mΩ  
 Insulation resistance: 500MΩ/DC500V  
 Withstanding Voltage : AC3000V/1min  
 Wire range: 20-6AWG 16.0mm<sup>2</sup>
- Mechanical  
 Operating temperature: -40°C~+105°C  
 Soldering temperature: 250°C±5/5sec  
 Torque: 1.2N.m (10.53lb.in)  
 Strip length: 10mm
- RoHS compliance

HOW TO ORDER  
 KF136-10.16-XXP-1 X-XXXXX



**DF** 慈溪市凯峰电子有限公司  
 CIXI KAIFENG ELECTRONICS CO.,LTD