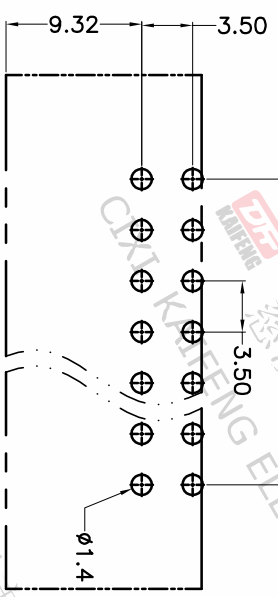
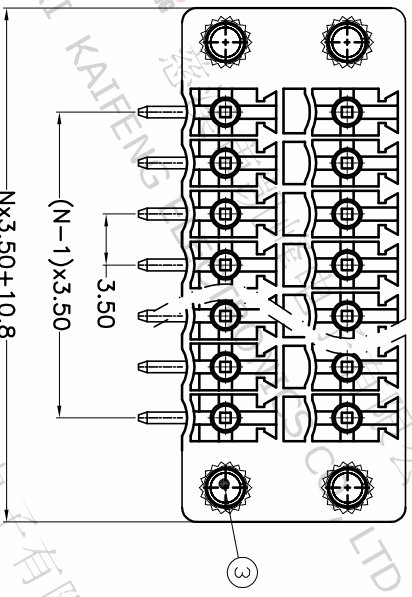
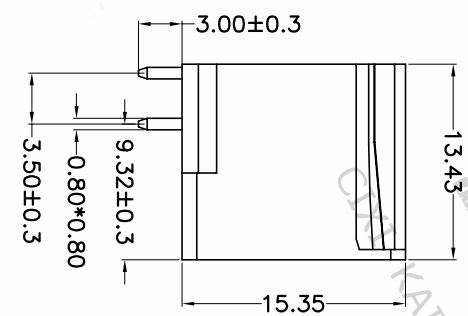
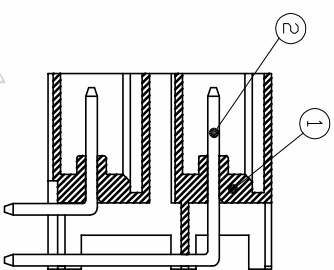
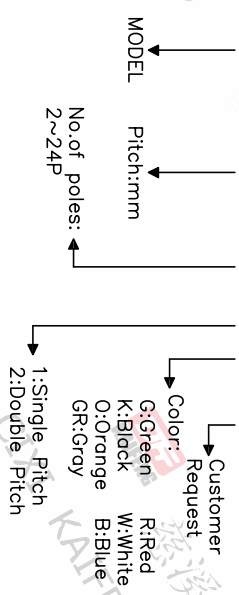


REV.	DESCRIPTION	DATE	DRAFTER	APPROVER
A1	DWG.REL	2020.6.02	ZHANG	JIN



- Material  
 @Housing : PA66, UL94V-0  
 @Pin header : Copper alloy, Tin plated  
 @Nut : M2.5, Copper alloy
- Electrical  
 UL IEC  
 Rated voltage : 300V 250V  
 Rated current : 8A 7A  
 Contact resistance : 20mΩ(Max)  
 Insulation resistance: 500MΩ/DC500V  
 Withstanding Voltage : AC1500V/1min
- Mechanical  
 Operating temperature: -40°C~+105°C  
 Soldering temperature: 250°C±5/5sec
- RoHS compliance

HOW TO ORDER  
 KF12EKN-RM-3.5-2\*XXP-1 X-XXXXX



Pitch range	Nominal dimension range	PROJECTION	UNIT
>0	>10	□	mm
~6	~10	□	mm
~10	~24	□	mm
±0.15	±0.20	□	mm
±0.30	±0.30	□	mm
±0.50	±0.50	□	mm
±0.70	±1.00	□	mm
±1.30	±1.30	□	mm

DRAWING TYPE	CUSTOMER DRAWING	SHEET SIZE	TITLE
SCALE	1:1	A4	KF12EKN-RM-3.5-2*XXP-1X
DRAWING NO.	W10001322		

**DF** 慈溪市凯峰电子有限公司  
 CIXI KAIFENG ELECTRONICS CO.,LTD

