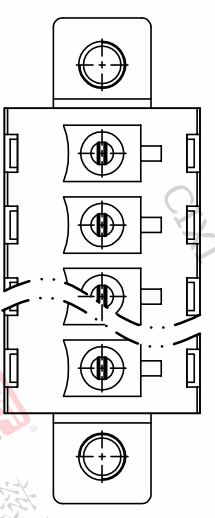
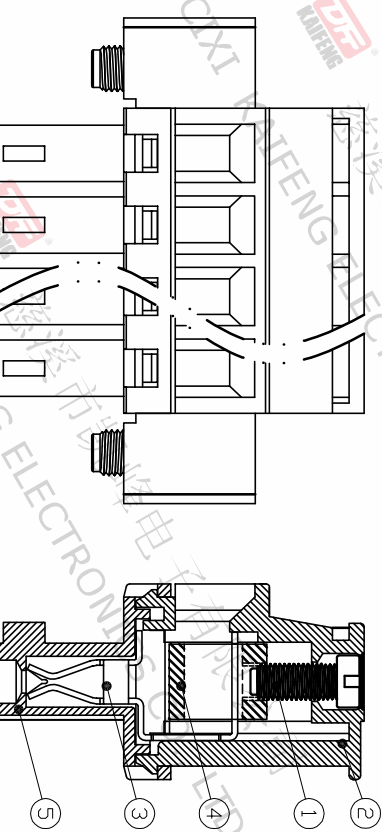
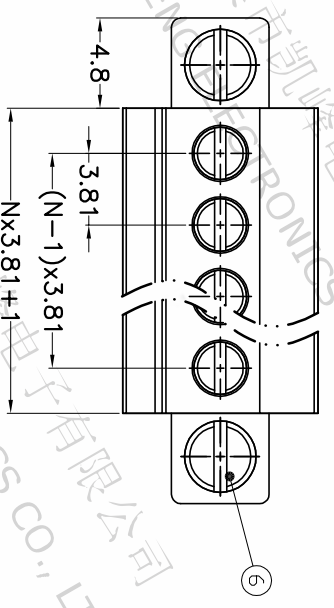
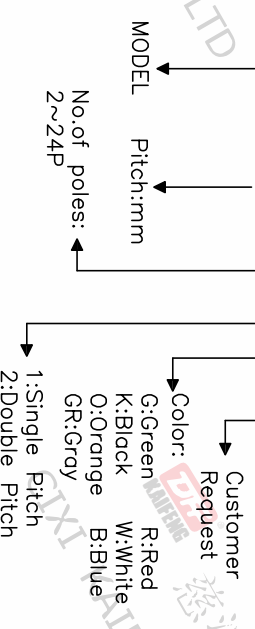


REV.	DESCRIPTION	DATE	DRAFTER	APPROVER
A1	DWG.REL	2020.6.10	ZHANG	JIN



- Material
  - ①Screw : M2.0 steel,Zinc plated, "—" slot type
  - ②Housing : PA66, UL94V-0
  - ③Contact : Copper alloy,Tin plated
  - ④Clamp : Copper alloy, Ni plated
  - ⑤Cover : PA66, UL94V-0
  - ⑥Screw : M2.5 steel,Zinc plated, "—" slot type
- Electrical
  - UL IEC
  - Rated voltage : 300V 250V
  - Rated current : 8A 7A
  - Contact resistance : 20mΩ(Max)
  - Insulation resistance: 500MΩ/DC500V
  - Withstanding Voltage : AC1500V/1min
  - Wire range: 28-16AWG 0.5-1.5mm<sup>2</sup>
- Mechanical
  - Operating temperature: -40℃~+105℃
  - Soldering temperature:250℃±5/5sec
  - Torque: 0.2N.m (1.77Lb.in)
  - Strip length: 6-7mm
- RoHS compliance

HOW TO ORDER  
KF12EKAM-3.81-XXP-1 X-XXXXX



Pitch range	Nominal dimension range	PROJECTION
>0	>0	0.1/10
~6	~30	□
~10	~60	□
~24	~100	□
±0.15	±0.30	□
±0.20	±0.50	□
±0.30	±0.70	□
±1.00	±1.30	□
±2*		□

DRAWING TYPE	CUSTOMER DRAWING
SCALE	1:1
SHEET	1 OF 1
DRAWING NO.	W10001152

PROJECTION	UNIT	TITLE
□	mm	KF12EKAM-3.81-XXP-1X
□	A4	SHEET SIZE
□	A4	SERIES
□	KF12EKAM	

**DFE** 慈溪市凯峰电子有限公司  
CIXI KAIFENG ELECTRONICS CO.,LTD

