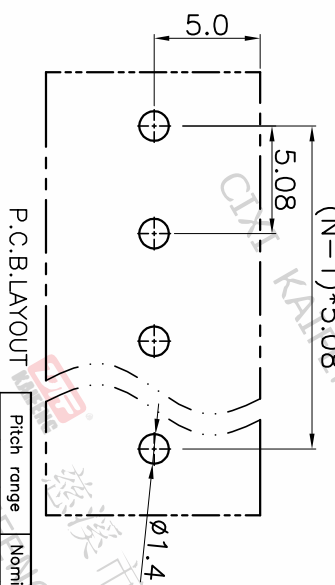
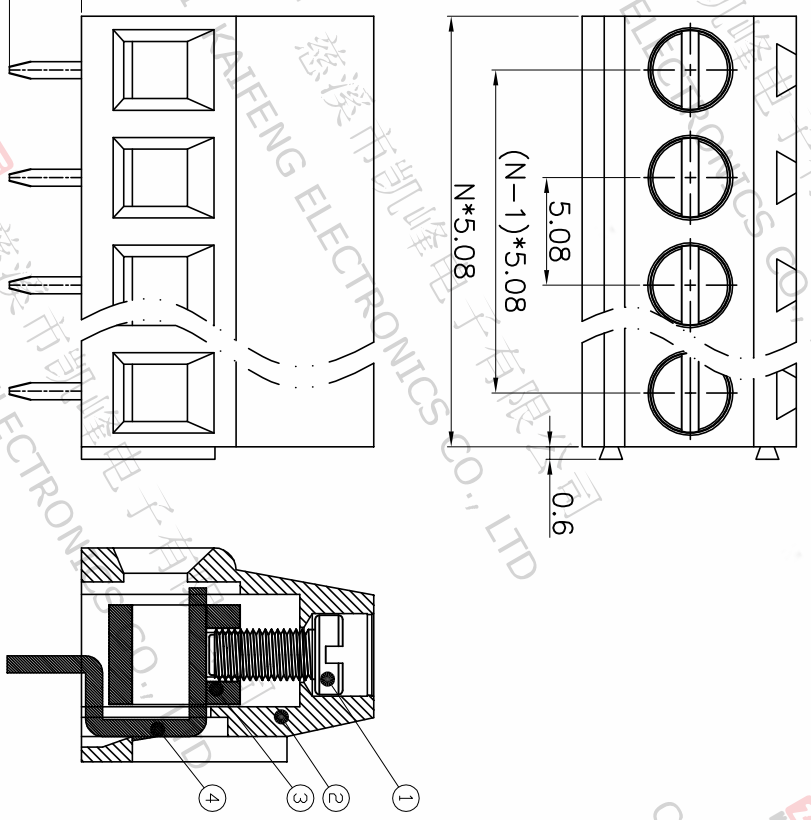
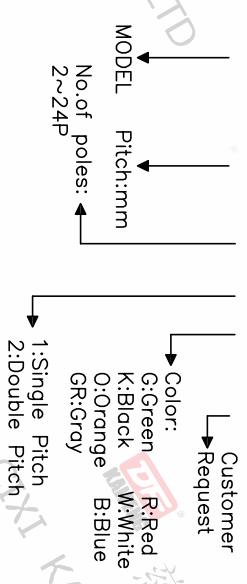


REV.	DESCRIPTION	DATE	DRAFTER	APPROVER
A1	DWG.REL	2020.05.19	DENG	JIN

- Material
 ⓄScrews : M3.0 steel, Zinc plated,
 *slot type
 ⓄHousing : PA66, UL94V-0
 ⓄClamp : Copper alloy, Ni plated
 ⓄPin header : Copper alloy, Tin plated
- Electrical
 UL IEC
 Rated voltage : 300V 250V
 Rated current : 15A 18A
 Contact Resistance: 20mΩ
 Insulation resistance: 500MΩ/DC500V
 Withstanding Voltage : AC2000V/1min
 Wire range: 24-14AWG 2.5mm²
- Mechanical
 Operating temperature: -40°C~+105°C
 Soldering temperature: 250°C±5/5sec
 Torque: 0.5N.m (4.43lb.in)
 Strip length: 6-7mm
- RoHS compliance

HOW TO ORDER
 KF128D-5.08-XXP-1 X-XXXXX



Pitch range	Nominal dimension range	Projection	UNIT
>0	>30	0.1/10	mm
>6	>60	0.1/10	mm
>10	>100	0.1/10	mm
6	10	0.1/10	mm
24	30	0.1/10	mm
±0.15	±0.30	±2	mm
±0.30	±0.50	±2	mm
±0.70	±1.00	±2	mm
±1.30	±1.30	±2	mm

DRAWING TYPE	CUSTOMER DRAWING
SCALE	1:1
SHEET	1 OF 1
DRAWING NO.	W15000482

DFE 慈溪市凯峰电子有限公司
 CIXI KAIFENG ELECTRONICS CO.,LTD

PROJECTION **TITLE** KF128D-5.08-XXP-1X

UNIT mm **SHEET SIZE** A4 **SERIES** KF128

