

REV.	DESCRIPTION	DATE	DRAFTER	APPROVER
A1	DWG.REL	2020.05.19	DENG	JIN

- Material
 - ⊙Screws : M2.0 steel, Zinc plated,
 - *_* slot type
 - ⊙Housing : PA66, UL94V-0
 - ⊙Clamp : Copper alloy, Ni plated
 - ⊙Pin header : Copper alloy, Tin plated

- Electrical

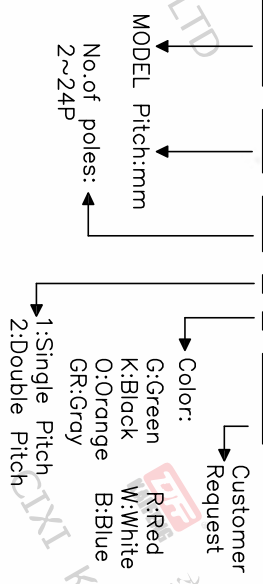
UL	IEC
Rated voltage : 150V	130V
Rated current : 10A	10A
Contact resistance : 20mΩ(Max)	
Insulation resistance: 500MΩ/DC500V	
Withstanding Voltage : AC1500V/1min	
Wire range: 24-16AWG	1.5mm ²

- Mechanical
 - Operating temperature: -40°C~+105°C
 - Soldering temperature: 250°C±5/5sec
 - Torque: 0.2N.m (1.77Lb.in)
 - Strip length: 5-6mm

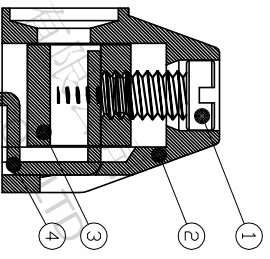
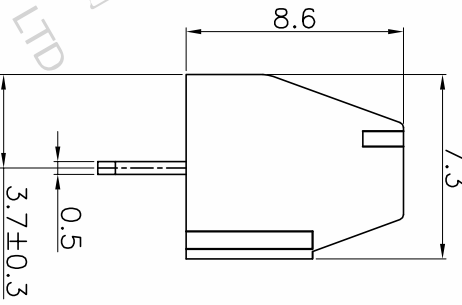
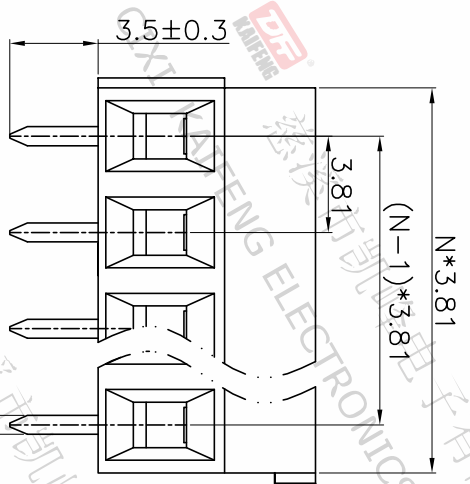
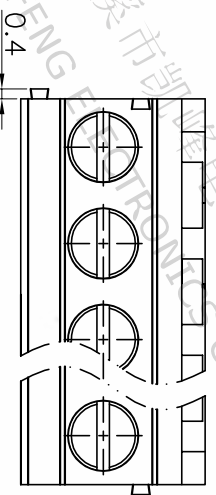
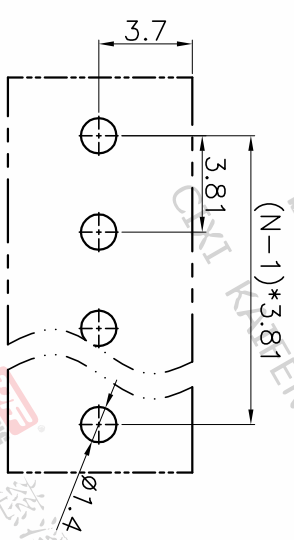
• RoHS compliance

HOW TO ORDER

KF124-3.81-XXP-1 X-XXXXX



P.C.B.LAYOUT



Pitch range	Nominal dimension range	PROJECTION
>0	>0	0.1/10
>6	>30	≤
~	~	
10	60	
24	100	
	150	
	>150	
±0.15	±0.30	±2°
±0.20	±0.30	
	±0.50	
	±0.70	
	±1.00	
	±1.30	

DFE 慈溪市凯峰电子有限公司
CIXI KAIFENG ELECTRONICS CO.,LTD

DRAWING TYPE: CUSTOMER DRAWING
SCALE: 1:1 SHEET: 1 OF 1
DRAWING NO.: W15000372

TITLE: KF124-3.81-XXP-1X
SHEET SIZE: A4
SERIES: KF124