

REV.	DESCRIPTION	DATE	DRAFTER	APPROVER
A1	DWG.REL	2020.06.11	DENG	JIN

- Material
 - ①Button : PA66, UL94V-0
 - ②Screws : M3.0 steel, Zinc plated
 - ③Clamp 1 : Copper alloy, Ni plated
 - ④Housing : PA66, UL94V-0
 - ⑤Clamp 2 : Copper alloy, Ni plated
 - ⑥Reed : Copper alloy, Ni plated

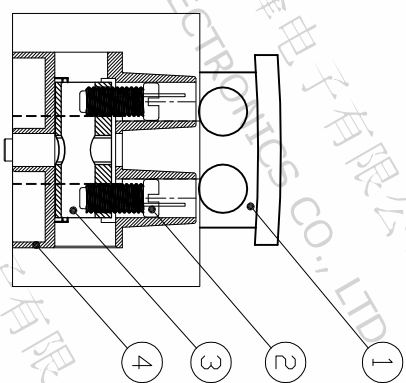
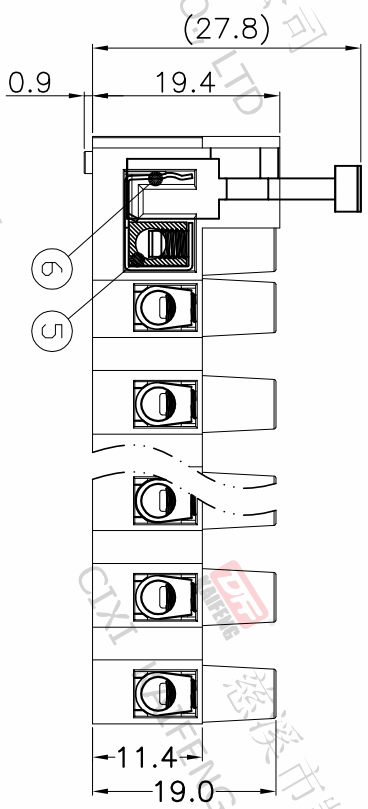
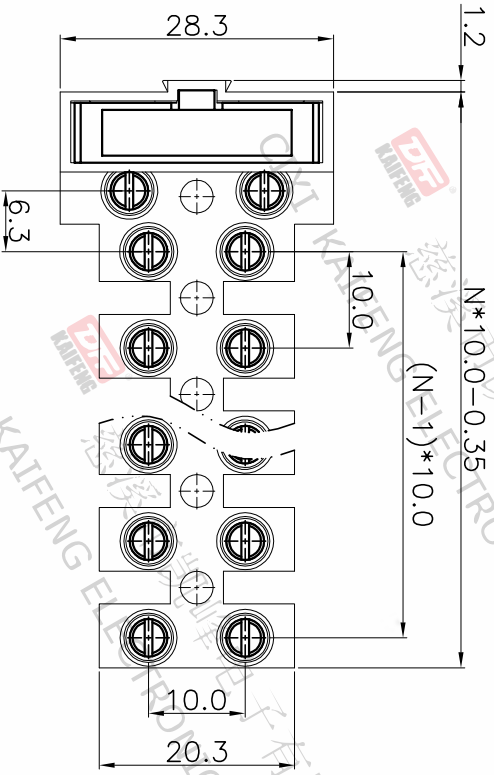
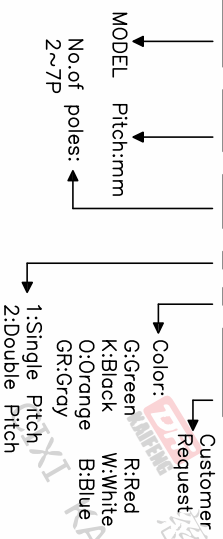
- Electrical

UL	IEC
Rated voltage : 300V	450V
Rated current : 10A	7.5A
Contact Resistance: 20mΩ	
Insulation resistance: 500MΩ/DC500V	
Withstanding Voltage : AC2500V/1min	
Wire range: 22-14AWG 0.5~2.5mm ²	

- Mechanical
 - Operating temperature: -40°C~+110°C
 - Soldering temperature: 250°C±5/5sec
 - Torque: 0.5N.m (4.43l.b.in)
 - Strip length: 6-7mm

• RoHS compliance

HOW TO ORDER
KF100-10.0-XXP-1 X-XXXXX



Pitch range	Nominal dimension range	PROJECTION
>0	>0	0.1/10
>6	>10	≤
~	~	
10	24	
±0.15	±0.20	
±0.30	±0.30	
±0.50	±0.50	
±0.70	±1.00	
±1.30	±1.30	
	±2*	

DF 慈溪市凯峰电子有限公司
CIXI KAIFENG ELECTRONICS CO.,LTD

DRAWING TYPE: CUSTOMER DRAWING
SCALE: 1:1 SHEET: 1 OF 1
DRAWING NO.: W18000102

TITLE: KF100-10.0-XXP-1X
UNIT: mm
SHEET SIZE: A4
SERIES: KF100